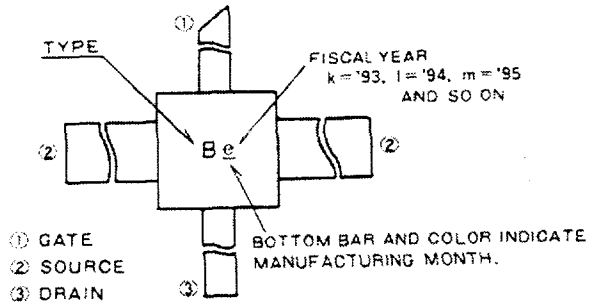


MITSUBISHI SEMICONDUCTOR (GaAs FET) SYMBOL ON PACKAGE

EXAMPLE OF SYMBOL ON MICRO DISK PACKAGE



	Without bottom bar	with bottom bar
Blue	Apr.	Oct.
Orange	May	Nov.
Black	June	Dec.
Red	July	Jan.
Green	Aug.	Feb.
Brown	Sep.	Mar.

* Left side character indicates the type number.
* Right side character, bottom bar and the color indicate manufacturing year and month.

SYMBOL ON PACKAGE Low Noise GaAs FET & HEMT

Type	Symbol	Outline	Classification
MGF1102	G	GD-2	Low Noise Dual Gate FET
MGF1302	A	GD-4	Low Noise FET
MGF1303B	G		
MGF1323	H	GD-9	Low Noise FET
MGF1402B	J		
MGF1412B	K		
MGF1403B	L		
MGF1423B	M		
MGF1425B	N	GD-16	Low Noise FET (Tape-Carrier)
MGF1902B	G		
MGF1903B	H		
MGF1923	F	GD-4	Low Noise HEMT
MGF4810E Series	E		
MGF4410D Series	R	GD-9	Low Noise HEMT (Tape-Carrier)
MGF4511D	D	GD-15	
MGF4910E Series	E	GD-16	Low Noise HEMT (Tape-Carrier)
MGF4714AP	D	GD-18	Plastic mold packaged HEMT (Tape-Carrier)

SYMBOL ON PACKAGE

SYMBOL ON PACKAGE

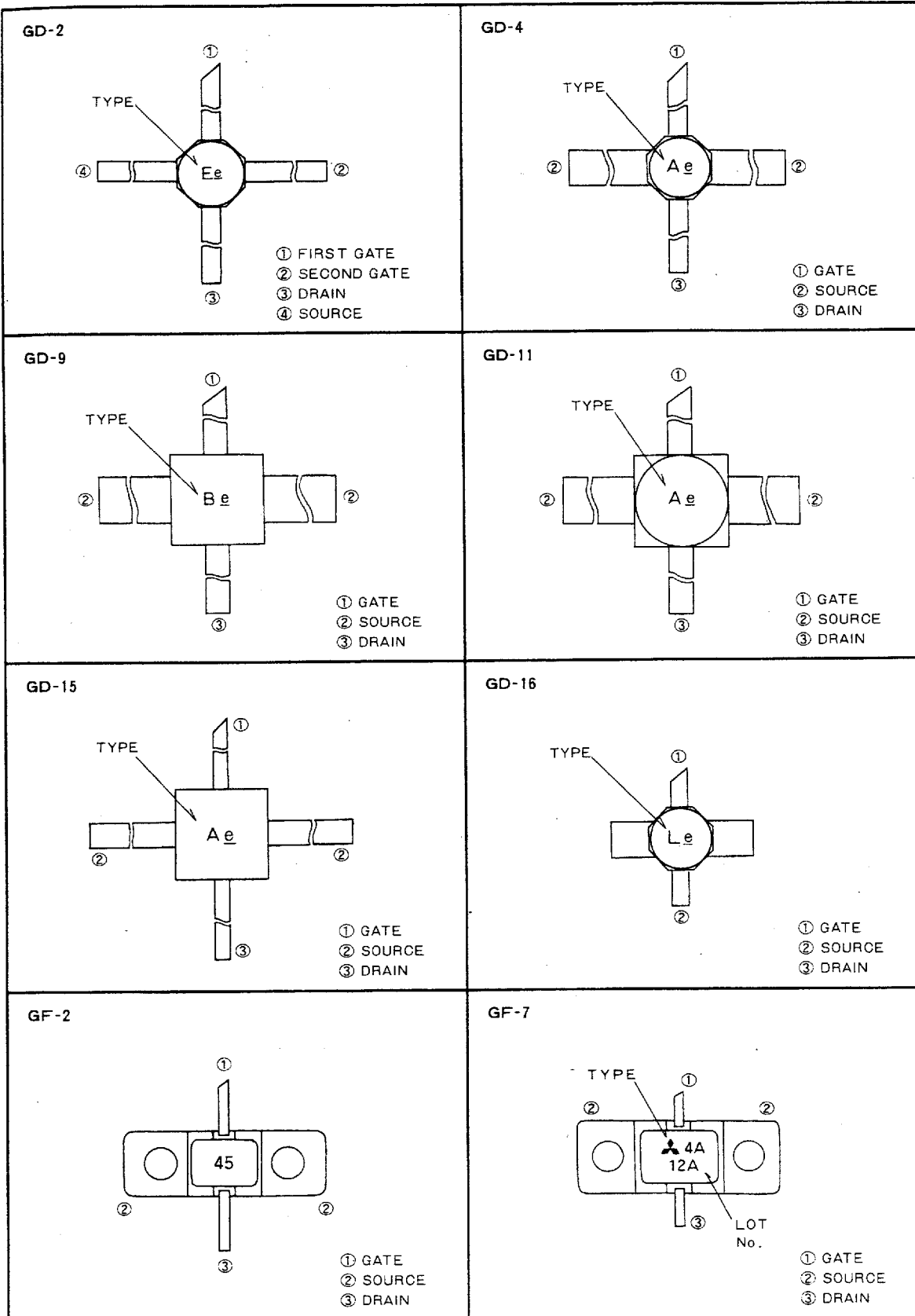
PKG TYPE									
PACKAGE CODE	GD-7	GD-1 GD-2 GD-3	GD-4	GD-4	GD-16	GD-9	GD-10 GD-11	GD-8	GD-15
A	MGF1902	MGF1200	MGF1302			MGF4410 Series	MGF1801	MGF3000	MGF4511A
B	MGF1903	MGF1202	MGF1303			MGF1402	MGF1601		
C	MGF1904	MGF1203	MGF1304	MGF4310C Series	MGF4910C Series	MGF1412	MGF1601A		
D		MGF1100	MGF1305	MGF4310D Series	MGF4910D Series	MGF1403	MGF1801B		MGF4511D
E			MGF1304A	MGF4310E Series	MGF4910E Series	MGF1404	MGF1601B		
F	MGF4900A Series		MGF7003		MGF1923	MGF1405			
G		MGF1102	MGF1303B		MGF1902B	MGF1423			
H			MGF1323		MGF1903B	MGF1425			
J					MGF1904B	MGF1402B			
K					MGF4900B Series	MGF1412B			
L	MGF4910 Series			MGF4310 Series	MGF4910B Series	MGF1403B			
M			MGF4303A			MGF1423B			
N			MGF4304A			MGF1425B			
P			MGF4305A			MGF4405A			
R			MGF4301A			MGF4410D Series			
S			MGF4302A						
T									

: Production discontinue

Power GaAs FET

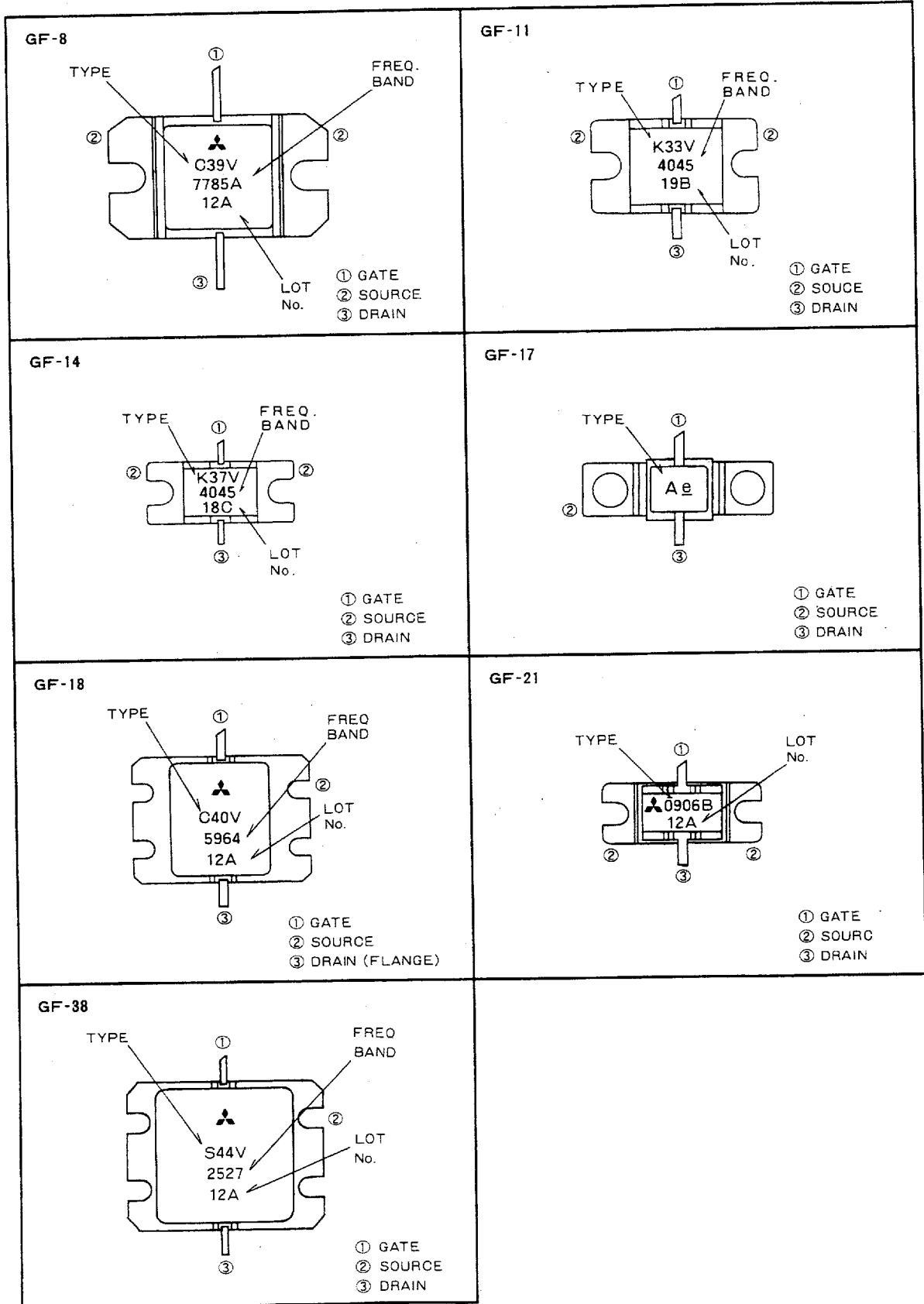
Type	Symbol	Outline	Classification
MGF0904A	4A	GF-7	Flange Type
MGF0905A	5A	GF-7	
MGF0906B	0906B	GF-21	
MGF0907B	0907A	GF-21	
MGF0909A	9A	GF-7	
MGF0910A	0910A	GF-21	
MGF0911A	0911A	GF-21	
MGF1601B	D	GF-11	Micro Disk
MGF1801B	C	GF-11	
MGF2407A	A	GF-17	Flange Type
MGF2415A	B	GF-17	
MGF2430A	C	GF-17	
MGF2445	D	GF-2	
MGFS44Vxxxx	S44Vxxxx	GF-8	Internally Matched
MGFS45Vxxxx	S45Vxxxx	GF-38	
MGFC36VxxxxA	C36VxxxxA	GF-8	
MGFC38Vxxxx	C38Vxxxx	GF-8	
MGFC39VxxxxA	C39VxxxxA	GF-8	
MGFC40VxxxxA/xxxxB	C40VxxxxA/xxxxB	GF-18	
MGFC41Vxxxx	C41Vxxxx	GF-18	
MGFC42VxxxxA	C42VxxxxA	GF-18	
MGFC44Vxxxx	C44Vxxxx	GF-38	
MGFC45Vxxxx	C45Vxxxx	GF-38	
MGFX35Vxxxx	X35Vxxxx	GF-14	
MGFX36Vxxxx	X36Vxxxx	GF-14	
MGFX38Vxxxx	X38Vxxxx	GF-14	
MGFX39Vxxxx	X39Vxxxx	GF-14	
MGFK25V4045	K25V4045	GF-11	
MGFK30V4045	K30V4045	GF-11	
MGFK35Vxxxx	K35Vxxxx	GF-14	
MGFK36Vxxxx	K35Vxxxx	GF-27	
MGFK37Vxxxx	K37Vxxxx	GF-14	
MGFK38Vxxxx	K38Vxxxx	GF-14	
MGFK39Vxxxx	K39Vxxxx	GF-8	

MITSUBISHI SEMICONDUCTOR <GaAs FET>
SYMBOL ON PACKAGE



Note : The scales are not same for each figure.

MITSUBISHI SEMICONDUCTOR <GaAs FET>
SYMBOL ON PACKAGE



SYMBOL ON PACKAGE

